

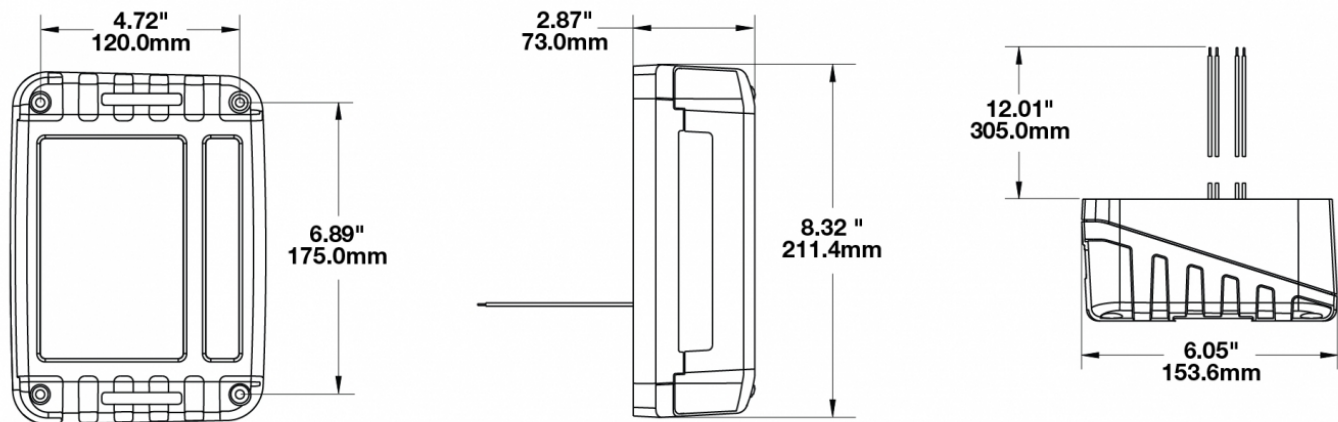
LED Tail Lights - Model 279

PRODUCT INFORMATION

Description	12-24V DOT LED Tail Light - 2 Light Kit
Height	210.31 mm / 8.28 in
Width	153.67 mm / 6.05 in
Depth	87.12 mm / 3.43 in
Shape	Rectangular
Outer Lens Material	Acrylic
Outer Lens Color	Clear
Housing Material	Polycarbonate
Housing Color	Black
Bezel Color	Black
Product Weight	6.40 lbs / 2.9 kgs
Shipping Weight	6.40 lbs / 2.9 kgs



PRODUCT DIMENSIONS



Print date: 2024-08-11

© 2024 J.W. Speaker Corporation • Germantown, WI U.S.A.
www.jwspeaker.com • speaker@jwspeaker.com • 262.251.6660

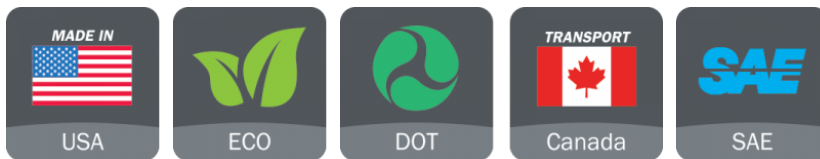
J.W. SPEAKER
 Engineered. Lighting. Solutions.

LED Tail Lights - Model 279

ELECTRICAL SPECIFICATIONS

Input Voltage	12-24V AC
Operating Voltage	9-32V AC
Black Wire	Ground
Purple Wire	Tail
Yellow Wire	Stop
Green Wire	Reverse
Current Draw	0.370A @ 12V AC (Stop) 0.220A @ 24V AC (Stop) 0.100A @ 12V AC (Tail) 0.089A @ 24V AC (Tail) 0.130A @ 12V AC (Reverse) 0.100A @ 24V AC (Reverse)

REGULATORY STANDARDS COMPLIANCE



Buy America Standards	Eco Friendly
FMVSS 108 s7.1 (Table VII)	FMVSS 108 s7.2 (Table VIII)
FMVSS 108 s7.3 (Table IX)	FMVSS 108 s7.4 (Table X)
FMVSS 108 s7.6 (Table XII)	FMVSS 108 s8.1 (Table XVI)
SAE J585	SAE J586
SAE J588	SAE J592

PHOTOMETRIC SPECIFICATIONS

Beam Pattern(s)	Signalization - Stop
	Signalization - Tail
	Signalization - Turn (Rear)

Print date: 2024-08-11

© 2024 J.W. Speaker Corporation • Germantown, WI U.S.A.
www.jwspeaker.com • speaker@jwspeaker.com • 262.251.6660

LED Tail Lights - Model 279

APPLICATIONS



PRODUCT WARNINGS

For California residents:

⚠ **WARNING:** Cancer and reproductive harm - www.P65Warnings.ca.gov.

⚠ **AVERTISSEMENT:** Cancer et effet nocif sur la reproduction - www.P65Warnings.ca.gov.

ACCESSORIES



Part Number
8200231

Mounting Kit for Model
279 - 2 Light Kit